

NOTE: REFER TO PART DRAWINGS FOR DIMENSIONS NOT SHOWN

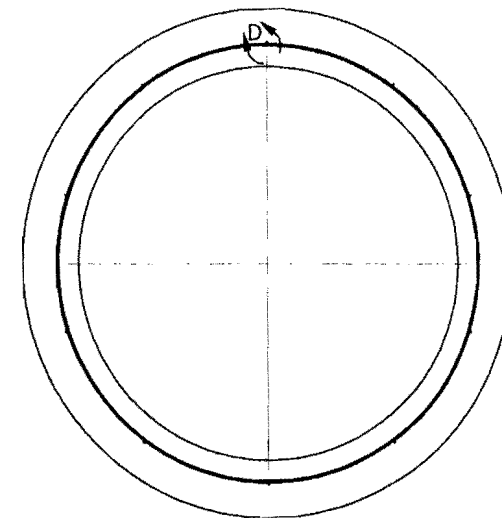
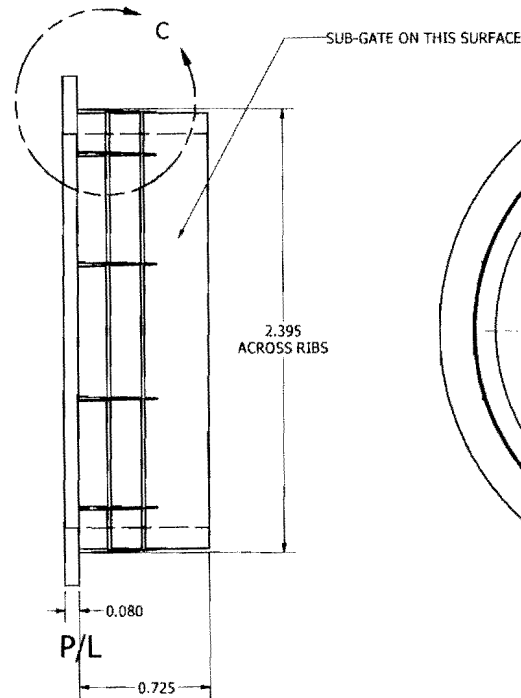
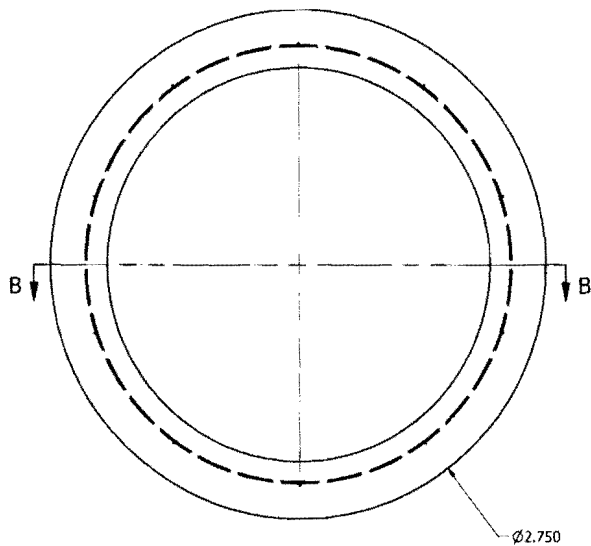
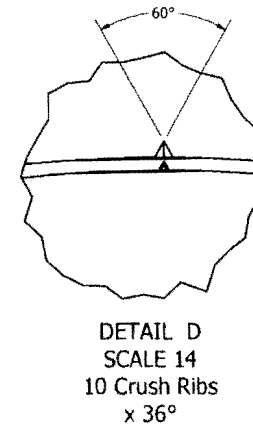
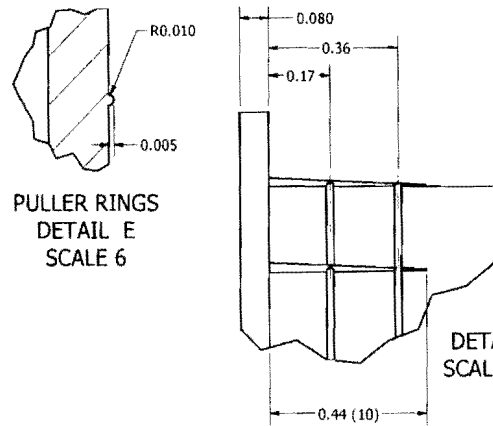
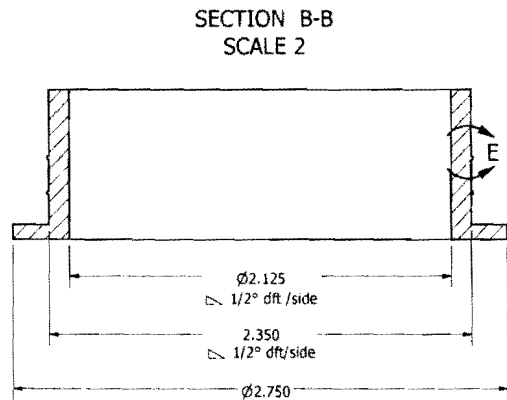
Parts List			
ITEM	QTY	PART NUMBER	DESCRIPTION
1	1	G03-10200 COVER	2 3/8" DIA GROMMET COVER
2	1	G03-10200 GROMMET	2 3/8" DIA GROMMET BASE

CUST:	
CUST P.N.:	
SCALE: NONE	UNITS INCH
REF NO.	15149A
MATERIAL:	ABS
FINISH:	COLOR TO SUIT

UNSPECIFIED TOLERANCES	
ANGLES = ± 1'	
FRACTIONS = ± .032"	
DECIMAL TO INCH	
.X = ± .030	
.XX = ± .015	
.XXX = ± .005	
.XXXX = ± .001	

DRAWN	DMACNEIL	7/2/2007
CHECKED	GP	7/2/2007
MFG	D MacNeil	7/2/2007
APPROVED	George Pingree	7/2/2007

TITLE			
2 3/8" DIA GROMMET W/COVER			
SIZE	C	DWG NO	G03-10200-AR4
SCALE		REV	

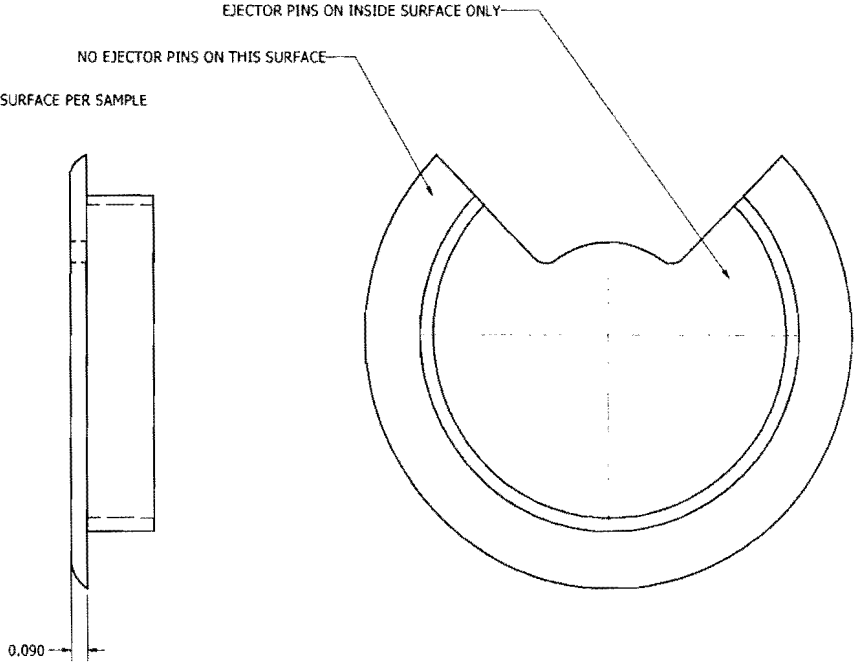
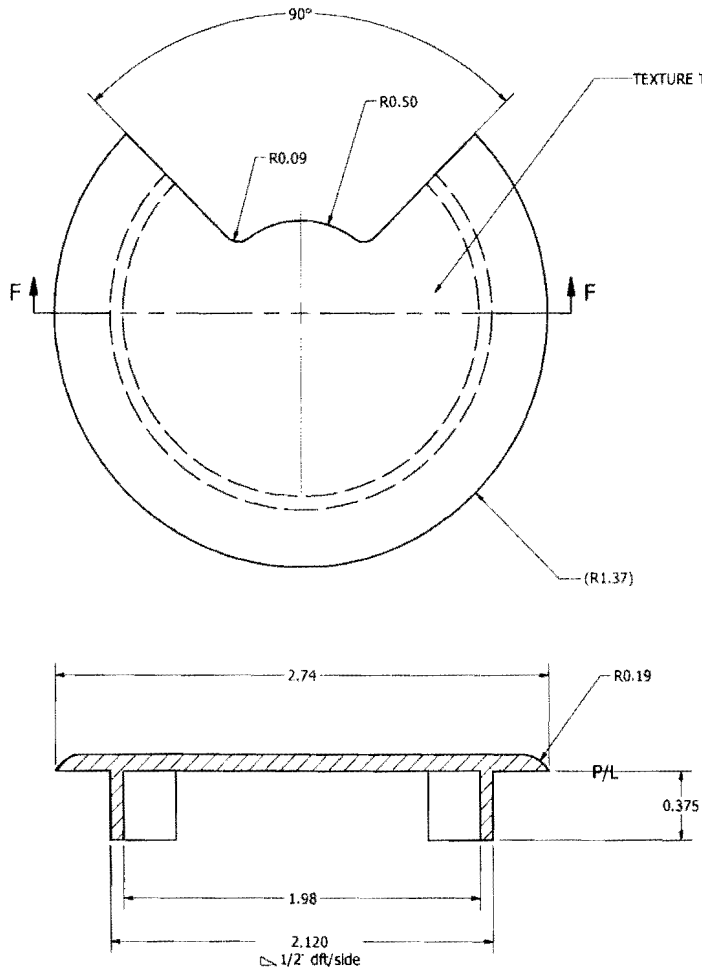


CUST:	
CUST P.N.:	
SCALE:	UNITS
REF NO.	15149-1
MATERIAL:	ABS
FINISH:	SPI C1

<b>UNSPECIFIED TOLERANCES</b>	
ANGLES = $\pm 1^\circ$	
FRACTIONS = $\pm .032''$	
DECIMAL TO INCH	
.X = $\pm .030$	
.XX = $\pm .015$	
.XXX = $\pm .005$	
.XXXX = $\pm .001$	

DRAWN	DMACNEIL	7/2/2007
CHECKED	GP	7/2/2007
QA		
MFG	D MacNeil	7/2/2007
APPROVED	George Pingree	7/2/2007

TITLE		
2 3/8" DIA GROMMET		
SIZE	DWG NO	REV
C	G03-10200-AR4	
SCALE	SHEET 2 OF 3	



SECTION F-F  
SCALE 2

CUST:	
CUST	
P.N.:	
SCALE:	UNITS
REF NO.	15149-2
MATERIAL:	ABS
FINISH:	NOTED

UNSPECIFIED TOLERANCES	
ANGLES = ± 1°	
FRACTIONS = ± .032"	
DECIMAL TO INCH	
.X = ± .030	
.XX = ± .015	
.XXX = ± .005	
.XXXX = ± .001	

DRAWN	D MACNEIL	7/2/2007
CHECKED	GP	7/2/2007
QA		
MFG	D MacNeil	7/2/2007
APPROVED	George Pingree	7/2/2007

TITLE		
2 3/8" DIA GROMMET COVER		
SIZE	DWG NO.	REV
C	G03-10200-AR4	
SCALE	SHEET 3 OF 3	