

NOTE: REFER TO PART DRAWINGS FOR DIMENSIONS NOT SHOWN

Parts List			
ITEM	QTY	PART NUMBER	DESCRIPTION
1	1	G03-10300 GROMMET	3 1/4" GROMMET BASE
2	1	G03-10300 COVER	3 1/4" DIA GROMMET COVER

CUST:	
CUST P.N.:	
SCALE: NONE	UNITS INCH
REF NO.	15150A
MATERIAL:	ABS
FINISH:	COLOR TO SUIT

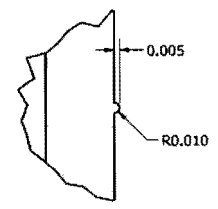
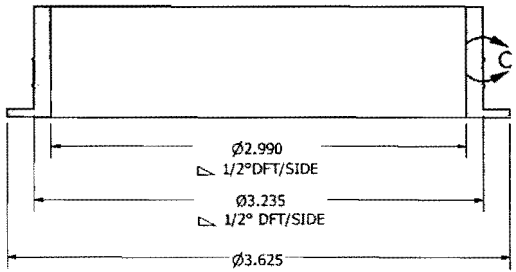
**UNSPECIFIED TOLERANCES**  
 ANGLES = ± 1°  
 FRACTIONS = ± .032"  
 DECIMAL TO INCH  
 .X = ± .030  
 .XX = ± .015  
 .XXX = ± .005  
 .XXXX = ± .001

DRAWN	DMACNEIL	7/5/2007
CHECKED	DMACNEIL	7/5/2007
QA		
MFG	DMACNEIL	
APPROVED	G PINGREE	7/6/2007

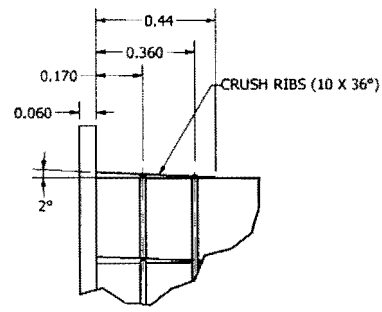
TITLE		
3 1/4" GROMMET W/COVER		
SIZE	DWG NO	REV
C	G03-10300-AR4	
SCALE	SHEET 1 OF 3	

4 3 2 1

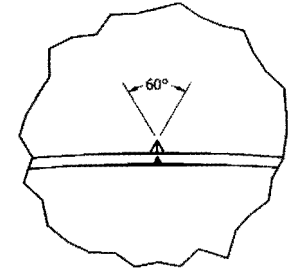
SECTION A-A  
SCALE 1.5



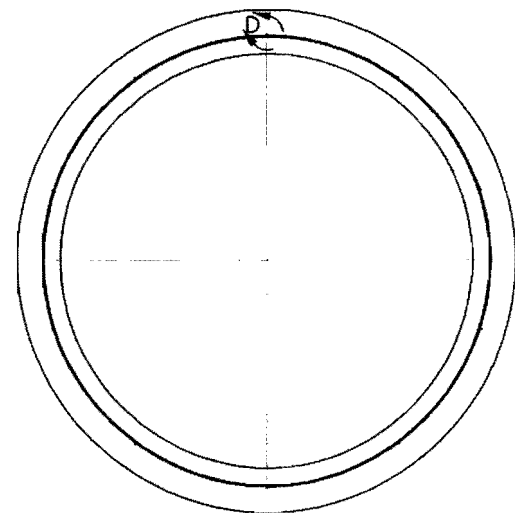
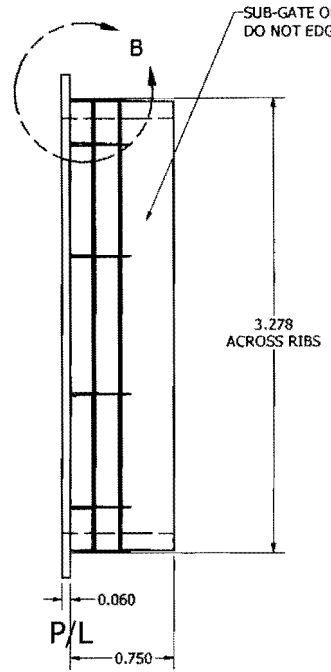
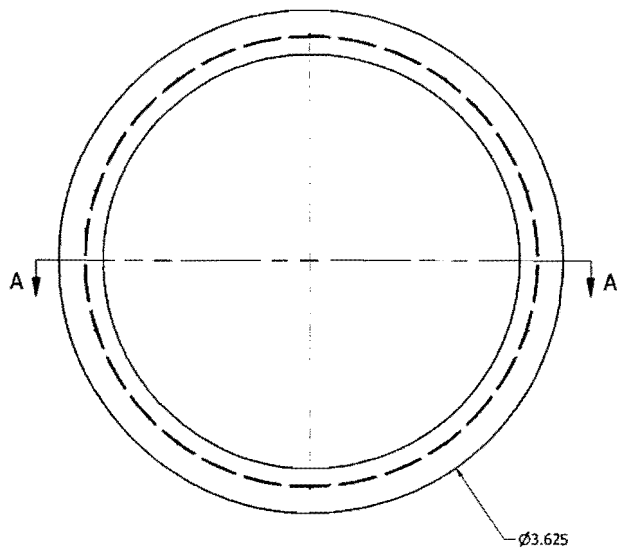
PULLER RIBS (2)  
DETAIL C  
SCALE 6



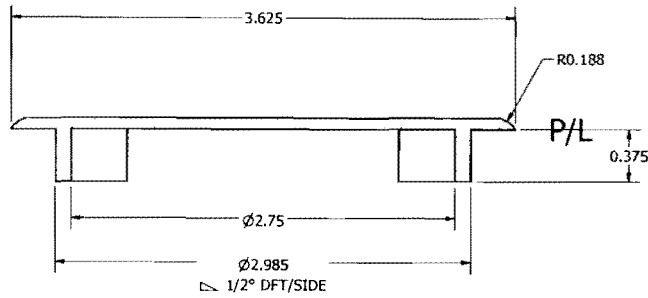
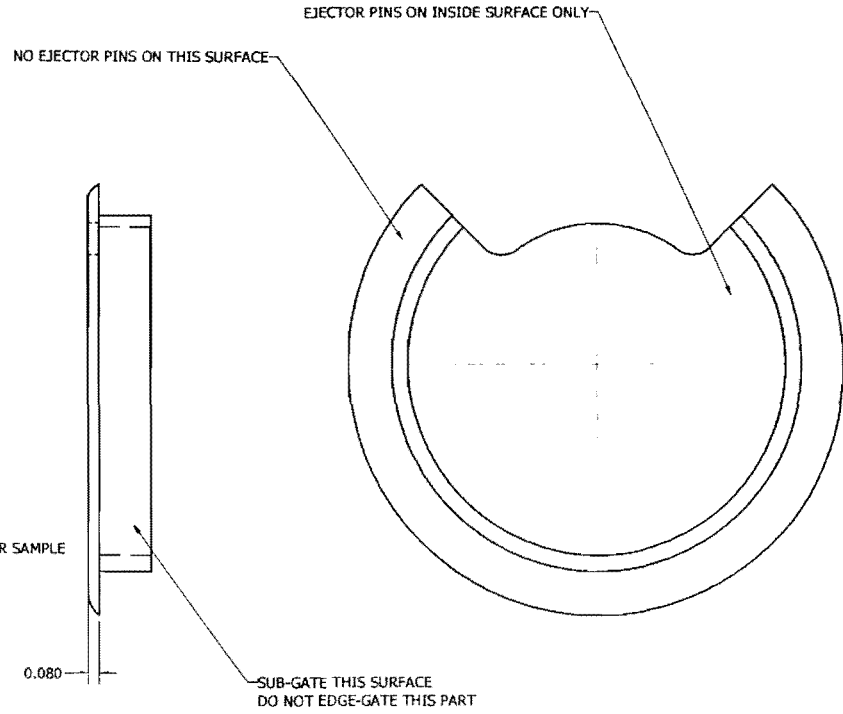
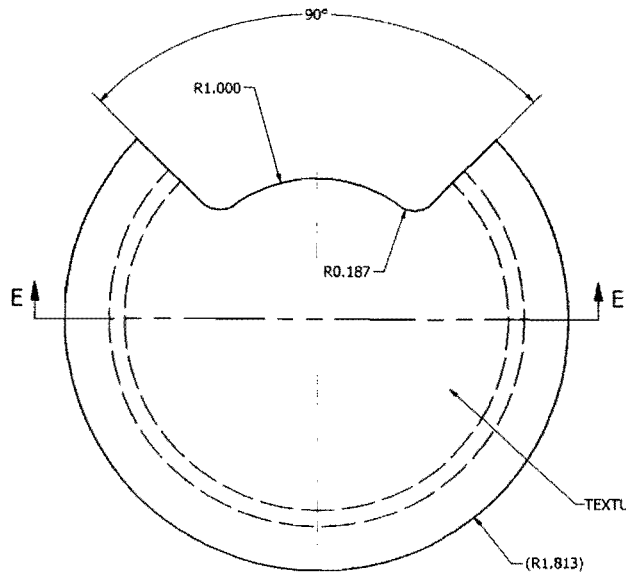
DETAIL B  
SCALE 3 : 1



DETAIL D  
SCALE 12  
10 CRUSH RIBS  
x 36°



CUST:		UNSPECIFIED TOLERANCES		DRAWN	7/5/2007	TITLE	
CUST		ANGLES = ± 1'		DMACNEIL		3 1/4" DIA GROMMET	
P.N.:		FRACTIONS = ± .032"		CHECKED	7/5/2007	SIZE	
SCALE:	NONE	UNITS	INCH	DMACNEIL		C	DWG. NO.
REF NO.	15150-1		DECIMAL TO INCH	QA		G03-10300-AR4	
MATERIAL:	ABS		.X = ± .030	MFG		SCALE	
FINISH:	SPI C1		.XX = ± .015	DMACNEIL		SHEET 2 OF 3	
			.XXX = ± .005	APPROVED	7/6/2007	KEY	
			.XXXX = ± .001	G PINGREE			



SECTION E-E  
SCALE 1.5

CUST:	
CUST P.N.:	
SCALE: NONE	UNITS INCH
REF NO.	15150-2
MATERIAL:	ABS
FINISH:	NOTED

UNSPECIFIED TOLERANCES	
ANGLES = ± 1°	
FRACTIONS = ± .032"	
DECIMAL TO INCH	
.X = ± .030	
.XX = ± .015	
.XXX = ± .005	
.XXXX = ± .001	

DRAWN	DMACNEIL	7/5/2007
CHECKED	DMACNEIL	7/5/2007
QA		
MFG	DMACNEIL	
APPROVED	G PINGREE	7/6/2007

TITLE		
3 1/4" DIA GROMMET COVER		
SIZE	DWG NO	REV
C	G03-10300-AR4	
SCALE	SHEET 3 OF 3	