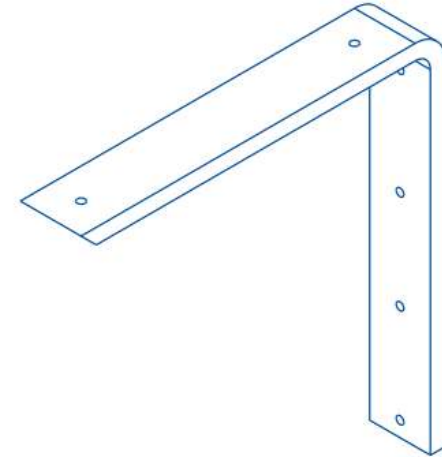
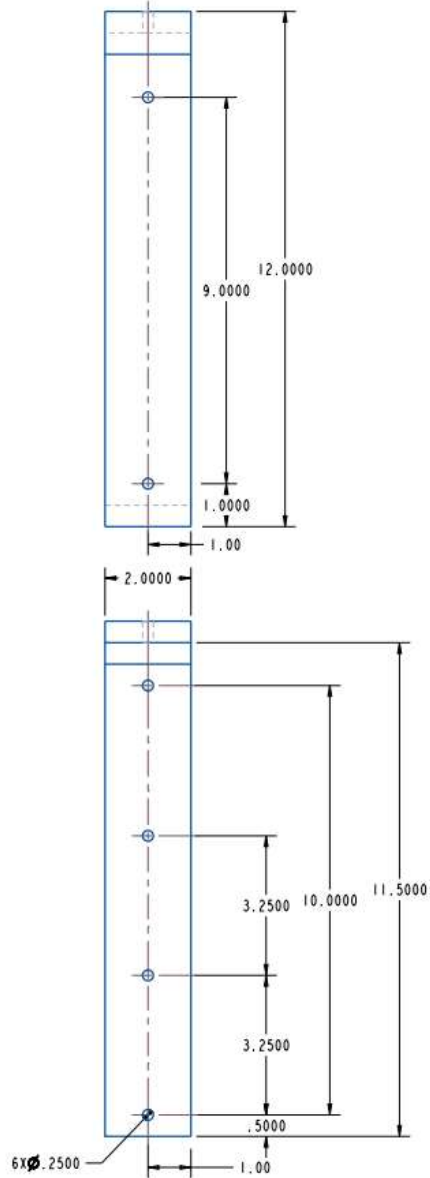
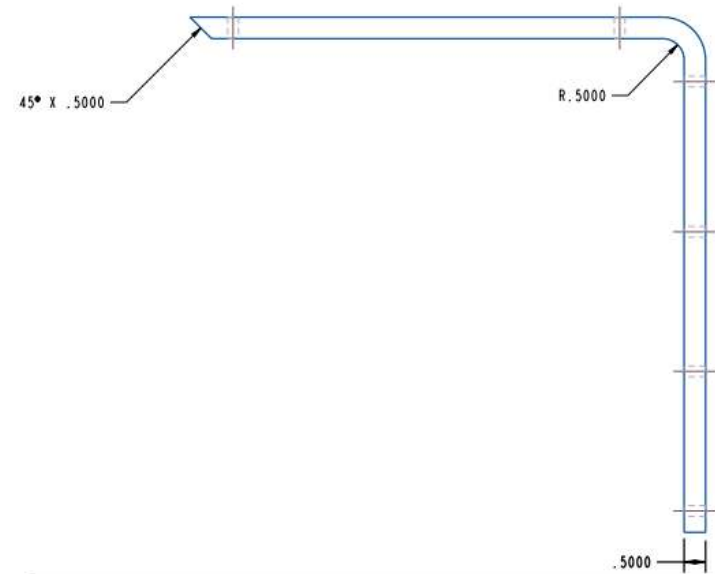




SMBF12



SCALE 1:2



| | | | |
|---|--|----------------------------|------------|
| Unless otherwise noted, apply these specifications: | | | |
| Dimensions are in inches. | | Tolerances:xx : ± .03 | |
| | | .xxx : ± .005 | |
| | | Angular : ± 5° | |
| | | Fractional : ± 1/16 | |
| | | All surfaces: $\sqrt{125}$ | |
| Third-Angle Projection | | DATE | 03/11/2020 |
| | | SCALE | 1:2 |
| | | DWG NO. | A-000000 |
| | | REV | 3 |
| | | SHEET | 1 of 1 |