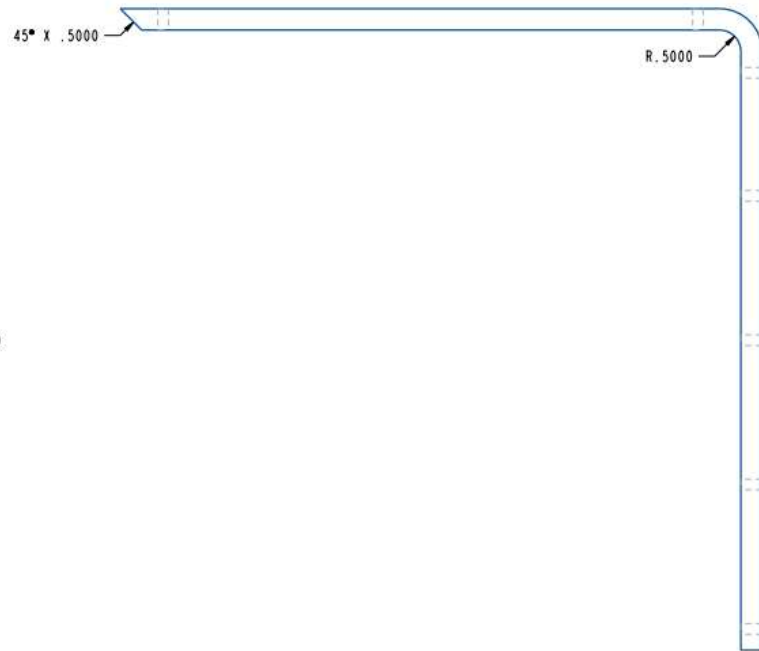
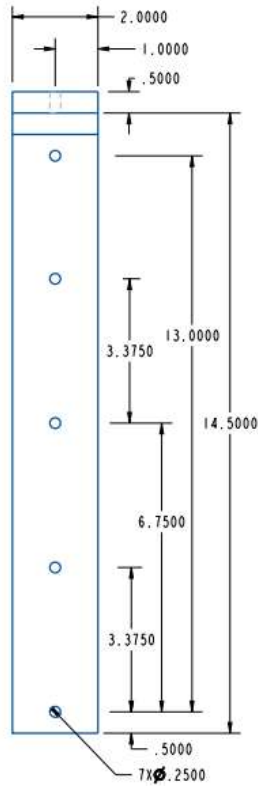
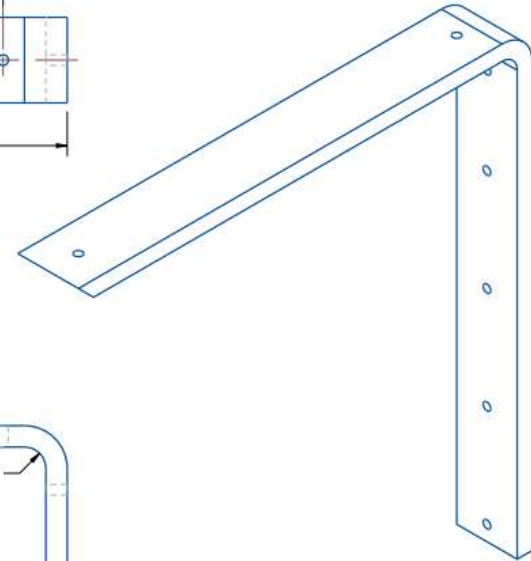
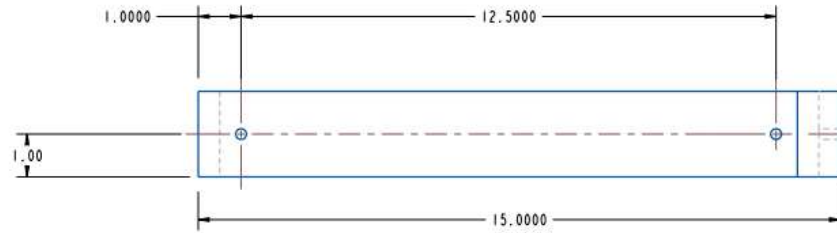




**SMFB15**



Unless otherwise noted, apply these specifications:			
Dimensions are in inches.		Tolerances:xx = ± .03	
		.xxx = ± .005	
		Angular = ± 5°	
		Fractional = ± 1/16	
		All surfaces: $\sqrt{125}$	
Third-Angle Projection		DATE	03/10/2020
		SCALE	1:2
		DRAWN BY	
		REV NO.	A-000000
		SHEET	3
		1 of 1	