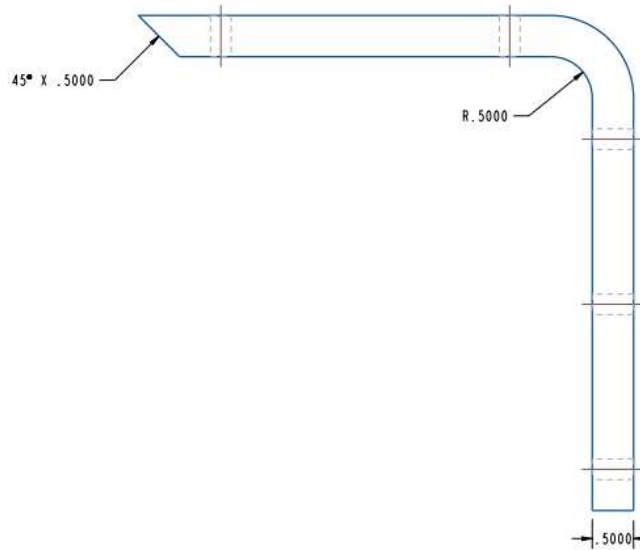
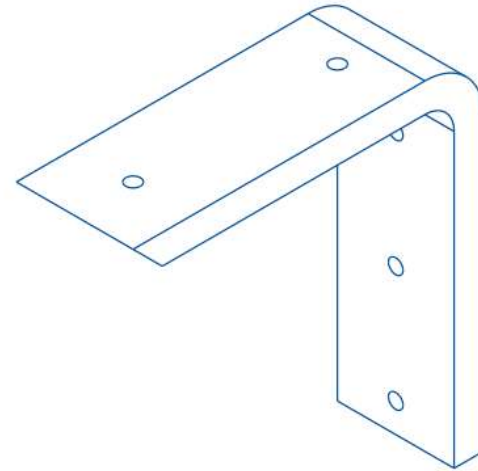
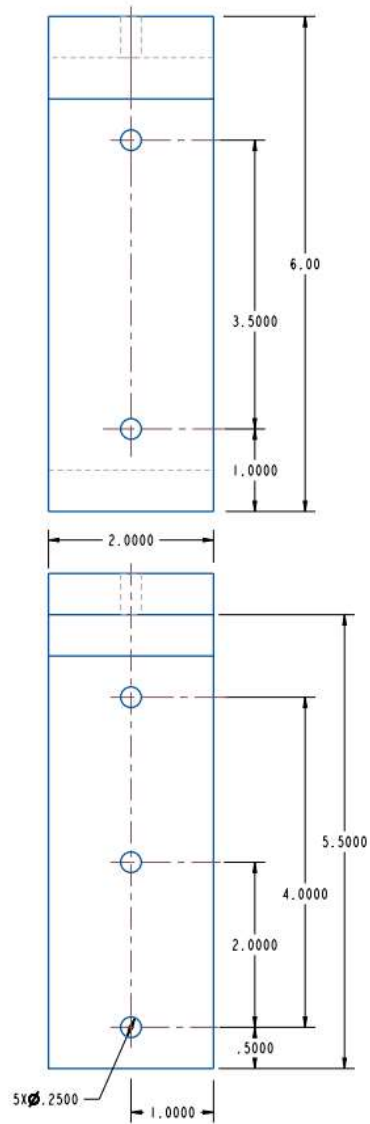




SMFB6



Unless otherwise noted, apply these specifications:			
Dimensions are in inches.		Tolerances: xx : ± .03	
		.xxx : ± .005	
		Angular : ± 5°	
		Fractional : ± 1/16	
		All surfaces: $\sqrt{R}$	
Break all sharp edges.		DATE	DRAWN BY
Third-Angle Projection		03/11/2020	
SIZE	SCALE	DWG NO.	REV
C	1:1	A-000000	2
		SHEET	1 of 1