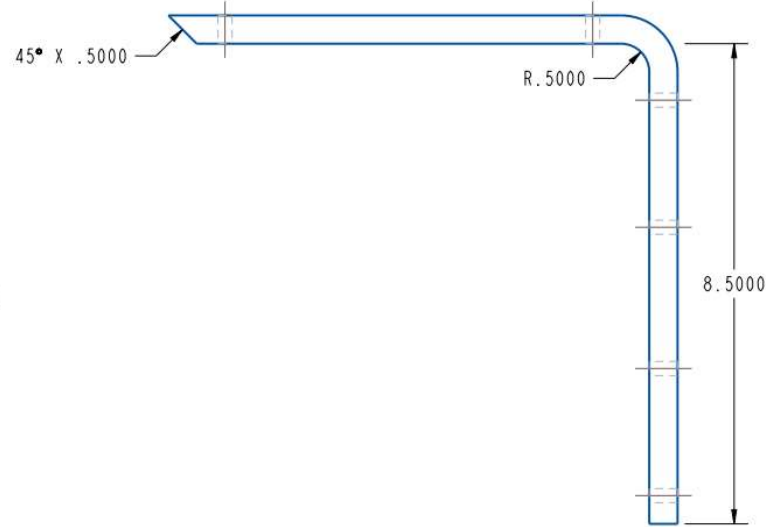
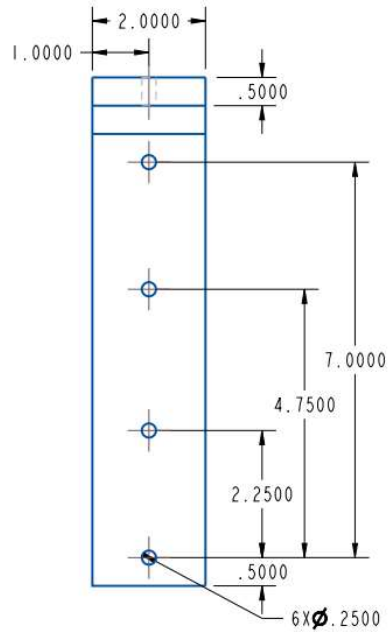
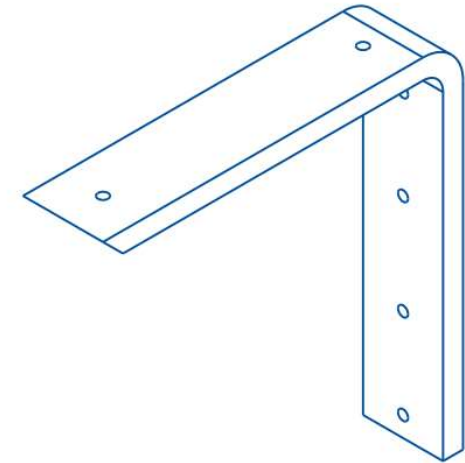
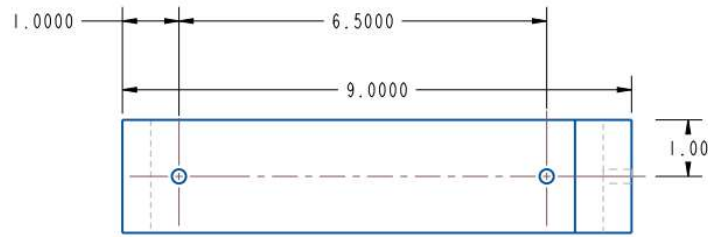




SMFB9



Unless otherwise noted, apply these specifications:

Dimensions are in inches.

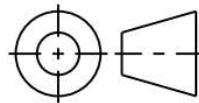
Tolerances: xx = ± .03

.xxx = ± .005

Angular = ± 5°

Fractional = ± 1/16

All surfaces: 125



Third-Angle Projection

Break all sharp edges.

SIZE B	SCALE 1:2	DWG NO. A-000000	REV 3
DATE 03/10/2020	DRAWN BY	SHEET 1 of 1	